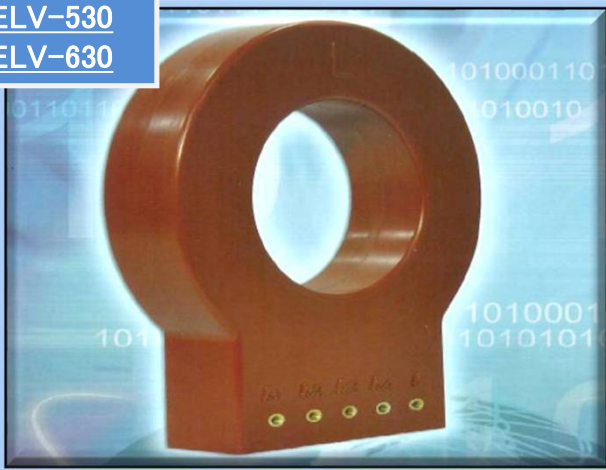


Zero Current Transformer

ELV-530
ELV-630

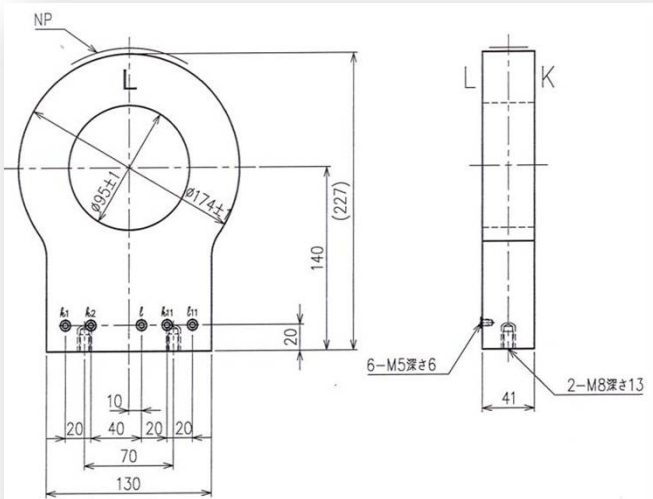


Picture

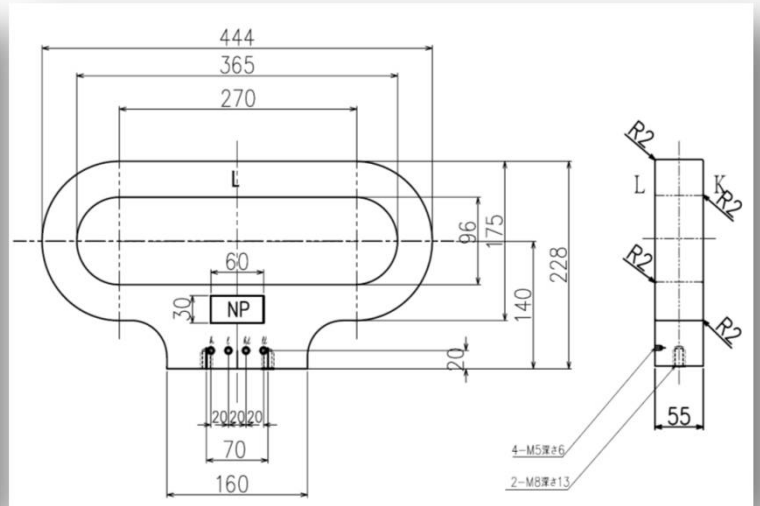
ELV-559
ELV-600



Picture



Drawing



Drawing

Type	ELV-530	ELV-601	ELV-559	ELV-600
Service Condition	Indoor			
Standard	JEC-1201-2007	JIS-C4601	JEC-1201-2007	JIS-C4601
Highest System Voltage	6.9kV		6.9kV	
Insulation Level	AC22kV、BIL60kV		AC22kV、BIL60kV	
Frequency	50 / 60Hz		50 / 60Hz	
Short-time current	40kA 1秒		40kA 1秒	
Rate PRI.Current	600A		600A	
Zeor Squency PRI.Current	200mA		200mA	
Zeor Squency SEC.Current	1.5mA	0.17mA	1.5mA	0.17mA
Burden	10Ω	100Ω	10Ω	100Ω
Accuracy Class	H	H	H	H
Excitation Impedance	> 20	--	> 20	--
Multiple of Overcurrent	n0 > 100	--	n0 > 100	--

ELEC
Insulation Innovation

恩良企業股份有限公司 12, Fu-Hsing Rd., Ho-Kou, Hsin-Chu Hsien, Taiwan

En-Liang Enterprise Co.,Ltd. Tel: +886-3-598-4207 Fax: +886-3-598-1584

<http://www.enliang.com.tw/> E-mail: louis.khoo@enliang.com.tw