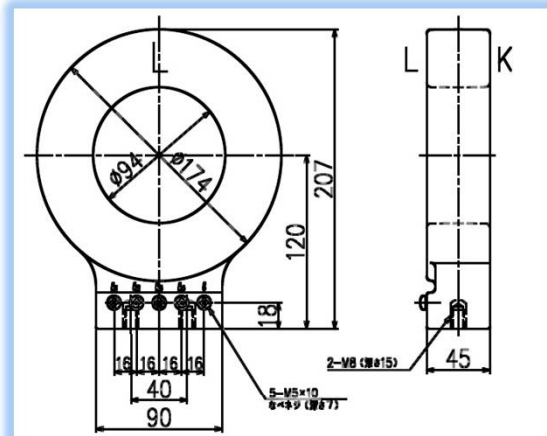


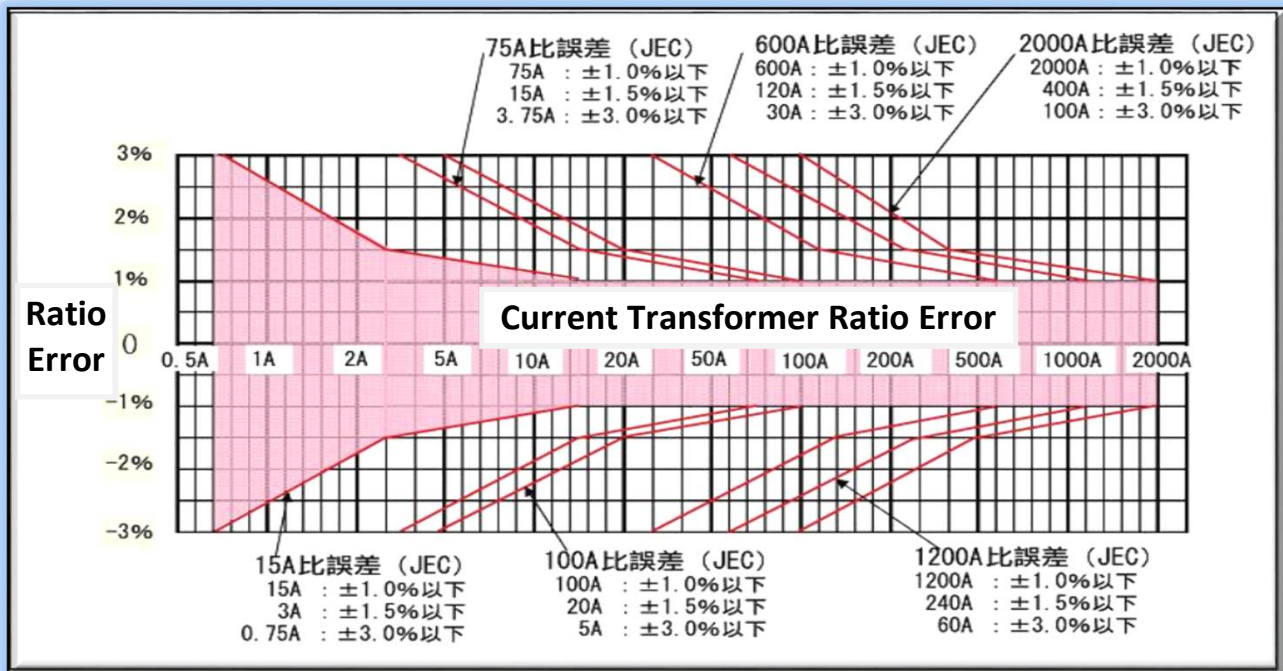
ELV-531/532 Wide-range Current Transformer



Picture



Drawing



Type	ELV-531	ELV-532
Service Condition	Indoor	
Standard	JEC-1201-2007	
Ratio	600-300-150A	1200-600-300-150A
	600/1A ~ 15/0.025A	1200/1A ~ 120/0.1A
	300/1A ~ 15/0.05A	600/1A ~ 60/0.1A
	150/1A ~ 15/0.1A	300/1A ~ 30/0.1A
Highest System Voltage	6.9kV	
Insulation Level	AC22kV, Imp 60kV	
Accuracy Class	1 PS	
Burden	0.5VA (at2000/1A, 1500/1A, 1200/ 1A, 600/ 1A, 300/ 1A, 150/ 1A)	
Frequency	50/60Hz	
Short-time current	40.kA, 1秒	
Multiple of Overcurrent	n > 10	



恩良企業股份有限公司 12, Fu-Hsing Rd., Ho-Kou, Hsin-Chu Hsien, Taiwan
 En-Liang Enterprise Co.,Ltd. Tel: +886-3-598-4207 Fax: +886-3-598-1584
<http://www.enliang.com.tw/> E-mail: louis.khoo@enliang.com.tw